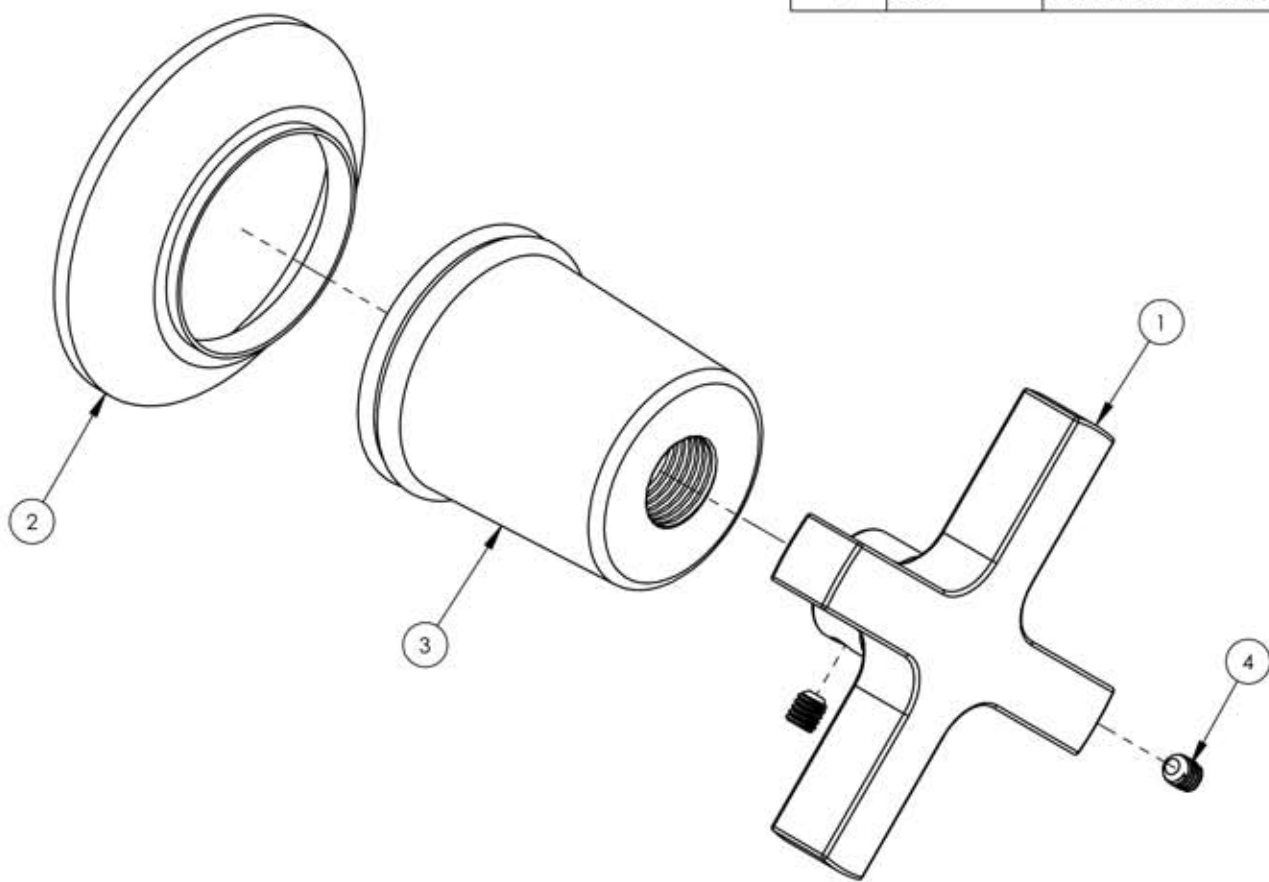


ITEM NO.	PART NUMBER	DESCRIPTION	QTY.
1	10633/00	HANDLE CROSS, CONTEMPORARY 1&6PT	1
2	10921/00	ESCUTCHEON, TRANSITIONAL	1
3	10922/00	HUB, FOR HEX TRANSITIONAL	1
4	92008	SET SCREW, CUP POINT 8-32. 3/16" L.	2



A

B

C

D

E

ZONE	REV.	DESCRIPTION	DATE	APPROVED
REVISIONS				
1261 LOGAN AVENUE COSTA MESA, CALIFORNIA 92626 PHONE: 714.361.4800 FAX: 714.617.3120		PHYLORICH®	PROPRIETARY AND CONFIDENTIAL <small>THE INFORMATION CONTAINED IN THIS DRAWING IS THE SOLE PROPERTY OF R3S MANUFACTURING. ANY REPRODUCTION IN PART OR AS A WHOLE WITHOUT THE WRITTEN PERMISSION OF R3S MANUFACTURING IS PROHIBITED.</small>	
Defining Luxury Since 1959				

-	-	INTERPRET GEOMETRIC DIMENSIONING & TOLERANCING IN ACCORDANCE WITH ASME Y14.5-2009 & ASME Y14.41-2003 STANDARDS. UNLESS OTHERWISE SPECIFIED, DIMENSIONS ARE IN INCHES. TOLERANCES ARE:		
NEXT ASSY	USED ON	FRACTIONS ±1/64"	DECIMALS X.X: ±.1 X.XX: ±.01 X.XXX: ±.005	ANGULAR ±.5°
APPLICATION			NAME	DATE
MATERIAL			MAF	1/20/2014
FINISH		DRAWN	GRE	
DO NOT SCALE DRAWING				

VOLUME CONTROL / DIV. TRIM, CROSS HANDLE HEX MODERN

SIZE	ASM/PRT NO.	REV
A	501-35/00	-
SCALE: 1:1	WEIGHT: lbs.	SHEET 1 OF 2

5

4

3

2

1